



NEW Double Elite Ceiling Mount

FEATURES

- **ONE-OF-A-KIND DESIGN** with sleek and sturdy construction. Engineered for years of reliable service.
- **IDEAL** for ceiling mounts with a keyboard.
- **MOUNT** stows conveniently overhead and rests 12" from the base of the drop pole.
- **FULLY CONCEALED** internal cable management protects cabling.
- **STOP PIN** prevents mount from turning 180° and twisting cables internally.
- **SLIDING MOUSE TRAY** can be pulled out to left or right side.
- **ADJUSTABLE DROP POLE** has two options — 19 to 26" (48.3 to 66 cm) and 26 to 37" (66 to 94 cm).
- **STOWS SAFELY** out of the way, overhead above the user.

Load Capacity	30 lbs (13.6 kg) 22 lbs (10 kg) with keyboard and monitor mount
Diameter of Motion	68" (172.8 cm)
Stowed Depth	14" (35.6 cm) from drop pole base
Arm Swivel	180° at mount (stop pins provided)
Vertical Range	38" (96.5 cm)
Tray Tilt	6° up (positive) / 11° down (negative)
Tray Swivel	240°

Australian and New Zealand Distributor

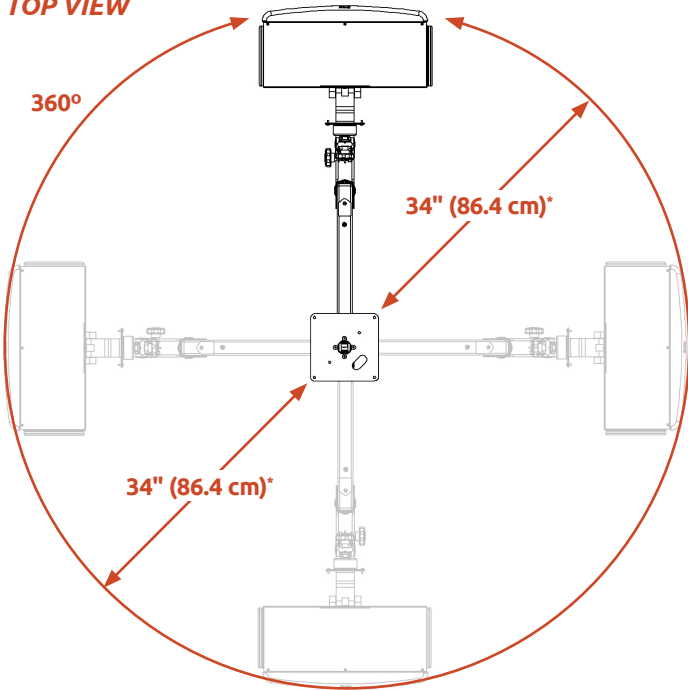


1300 141 142
sales@debetrek.com.au

debetrek

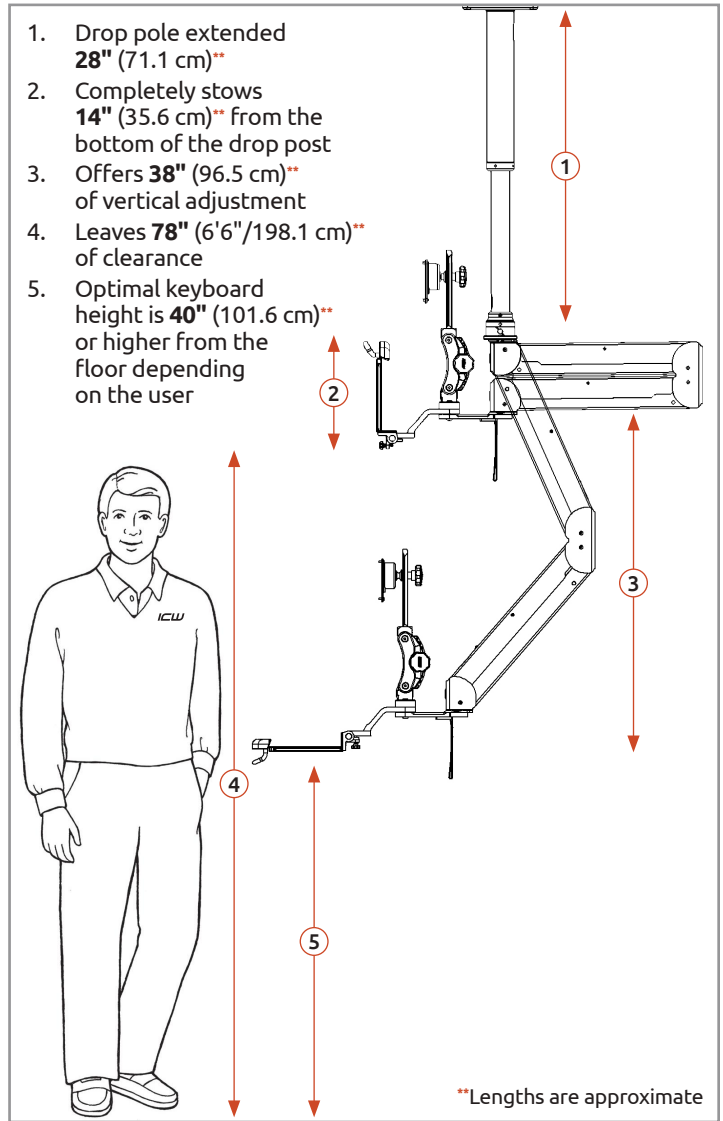
Range of Motion and Dimension Drawings

RANGE OF MOTION TOP VIEW



*Approximate range of motion depending on the height of the user

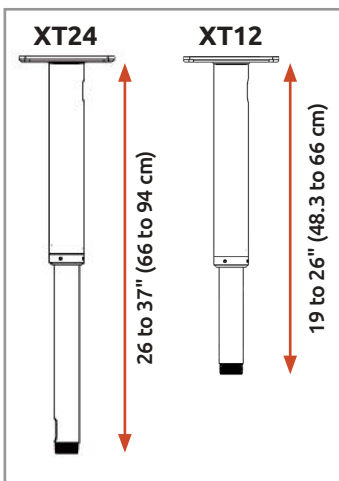
Illustration shows an example of a 10-foot (304.8 cm) ceiling installation



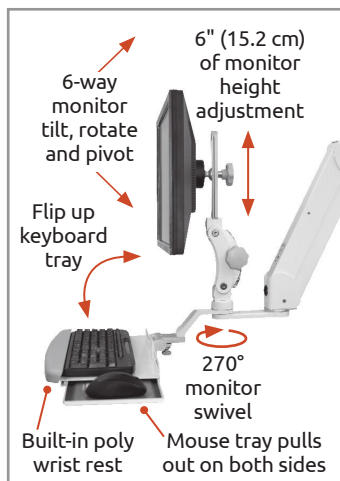
1. Drop pole extended **28"** (71.1 cm)**
2. Completely stows **14"** (35.6 cm)** from the bottom of the drop post
3. Offers **38"** (96.5 cm)** of vertical adjustment
4. Leaves **78"** (6'6"/198.1 cm)** of clearance
5. Optimal keyboard height is **40"** (101.6 cm)** or higher from the floor depending on the user

**Lengths are approximate

ADJUSTABLE DROP POLE OPTIONS



KEYBOARD AND MONITOR MOVEMENT



CALCULATE DROP POLE REQUIREMENTS

Ceiling Height (In Inches)	_____
Less Desired Keyboard Height -	_____
Less Vertical Height -	38"
Less Stowed Arm Depth -	14"
Net to Match Choice of Adjustable Arm Length =	_____



Available in these 5 standard colors and 9 custom colors.

