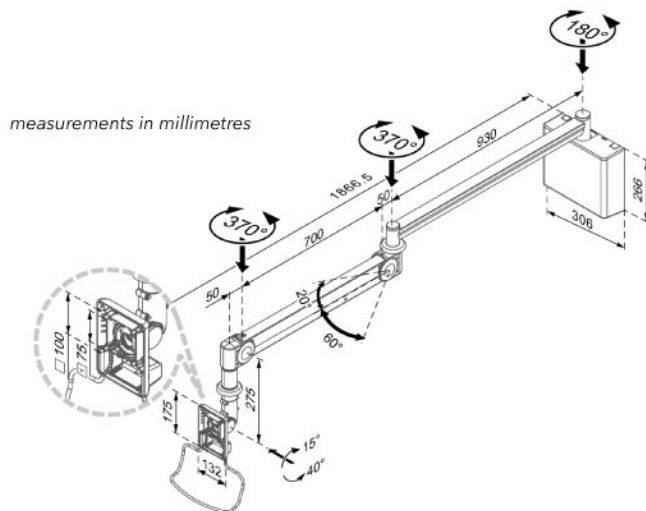


# PATIENT ENTERTAINMENT WALL ARM: PES-W101 / PES-W102



Superior design provides easy adjustment for patients and caregivers.

- » Multiple points of adjustment offers optimum comfort and ergonomic benefits.
- » All cables concealed inside arms provide a clean appearance.
- » The arms fold back to the wall into a compact retracted position for space saving.
- » Ergonomic handle design allows easy handling.
- » Slimmer VESA head fits ultra slim LED display.
- » Swivel, tilt and roll adjustments of VESA head offers premium ease-of-use display adjustment.



<b>Weight Capacity:</b> PES-W101: 1-6 kg PES-W102: 6-12 kg
<b>Tilt:</b> 15° up and 40° down (display) & 20° up and 60° down (arm)
<b>VESA Mount Roll adjustment:</b> +/- 15 degrees
<b>Material:</b> Aluminum alloy and plastic cover
<b>Mounting Option:</b> Wall Box Type
<b>Pivot:</b> 180° wall, 370° arm, 370° display
<b>Display Compatibility:</b> VESA 75/100mm